



R300 Secure Mounting Bracket Mounting Guide

This *Mounting Guide* provides step-by-step instructions on how to install the Ruckus Wireless R300 Secure Mounting Bracket (ordering part number 902-0118-0000). Unless specifically indicated, the rest of this document refers to this product as a **bracket**.

WARNING: Only trained and qualified personnel should be allowed to install, replace, or service Ruckus Wireless equipment.

WARNING: Installation of Ruckus Wireless equipment must comply with local and national electrical codes.

WARNING: Ruckus Wireless strongly recommends that you wear eye protection before mounting the AP.

STEP 1: VERIFYING PACKAGE CONTENTS

Verify that all items listed below are included in the package. If any item is damaged or missing, notify your authorized Ruckus Wireless sales representative.

- One mounting bracket
- Two 1.25" x No. 8 flathead stainless steel sheet metal mounting screws with plastic wall anchors
- Two alternative locking screws:
 - One 0.375" x No.4-20 panhead stainless steel Phillips screw
 - One 0.375" x No.4-20 panhead stainless steel Torx screw

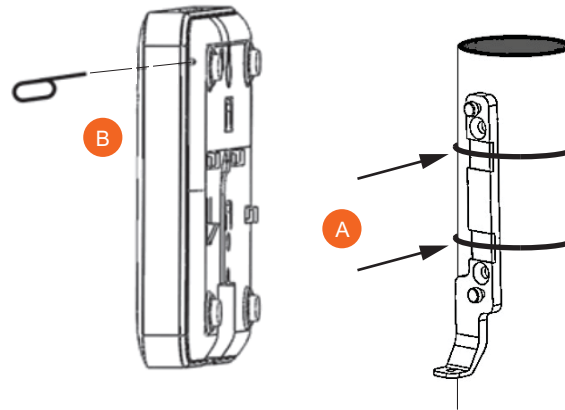
Continue with [Step 2: Collecting Required Hardware and Tools](#).

STEP 2: COLLECTING REQUIRED HARDWARE AND TOOLS

- Torque wrench or torque screwdriver with Phillips No. 1 and No. 2, and Torx T10 bits
- The unit removal pin that was shipped with the R300 access port, or a straightened-out metal paper clip
- If you are mounting the access point (AP) on a truss or pole, then you will also need two user-supplied cable ties.
- If you are mounting the AP on a flat surface, then you will also need an electric drill with 7/32" (5.5mm) drill bit

Continue with [Step 3A: Mounting the R300 on a Truss or Pole](#) or [Step 3B: Mounting the R300 on a Flat Surface](#).

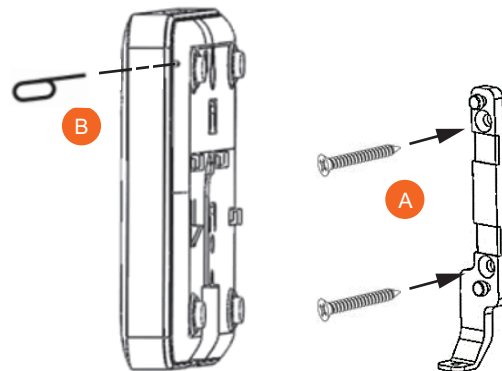
STEP 3A: MOUNTING THE R300 ON A TRUSS OR POLE



- 1 Fasten the bracket to the truss or pole using the customer-supplied cable ties (A).
- 2 Make sure that the Ethernet and/or power cables are plugged into the access point.
- 3 Make sure that the Power LED is a steady green.
- 4 Use the unit removal pin or a straightened-out paper clip to press in on the latching mechanism (B).
- 5 While pressing in on the latching mechanism, attach the AP to the bracket.
- 6 Release the unit removal pin or paper clip so the latching mechanism clamps onto the bracket mount points.

Continue with [Step 4: Securing the Access Point to the Bracket](#).

STEP 3B: MOUNTING THE R300 ON A FLAT SURFACE



- 1 Fasten the bracket to the flat surface using the factory-supplied 1.25" x No. 8 mounting screws and plastic wall anchors (A).

- 2 Make sure that the Ethernet and/or power cables are plugged into the access point.
- 3 Make sure that the Power LED is a steady green.
- 4 Use the unit removal pin or a straightened-out paper clip to press in on the latching mechanism (B).
- 5 While pressing in on the latching mechanism, attach the AP to the bracket.
- 6 Release the unit removal pin or paper clip so the latching mechanism clamps onto the bracket mount points.

Continue with [Step 4: Securing the Access Point to the Bracket](#).

STEP 4: SECURING THE ACCESS POINT TO THE BRACKET



- 1 Fasten the bracket to the AP using one of the two factory-supplied locking screws:

- Use the Torx screw for a security mounting --OR--
- use the Phillips screw for common hand tool mounting

NOTE: This kit includes an extra screw. You may use the extra screw wherever required.

Congratulations! You have mounted your Ruckus Wireless R300 using the secure mounting bracket.